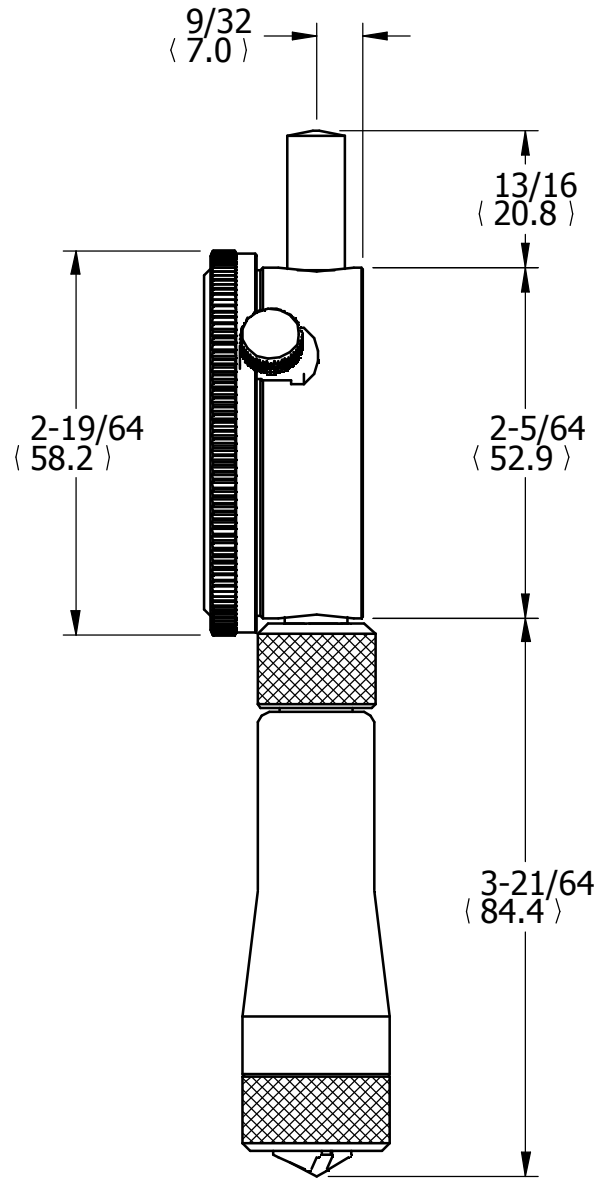
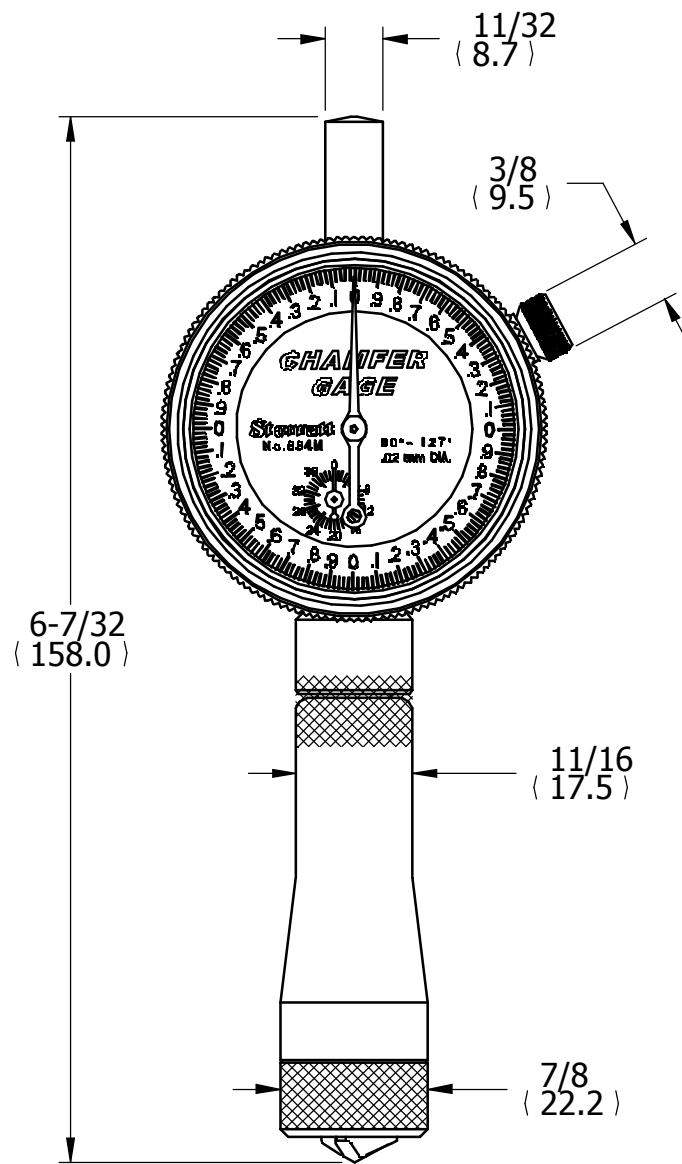


OPER

TOOLS




REV	DESCRIPTION	DATE	BY
-----	-------------	------	----

DR	KPH	CHK	DATE
----	-----	-----	------

CHAMFER GAGE  
0-12.7mm DIA.  
90-127° I.D.

THE L.S. STARRETT CO.  
ATHOL, MASS.

FRACTIONAL TOLERANCE +- 1/64 UNLESS OTHERWISE NOTED