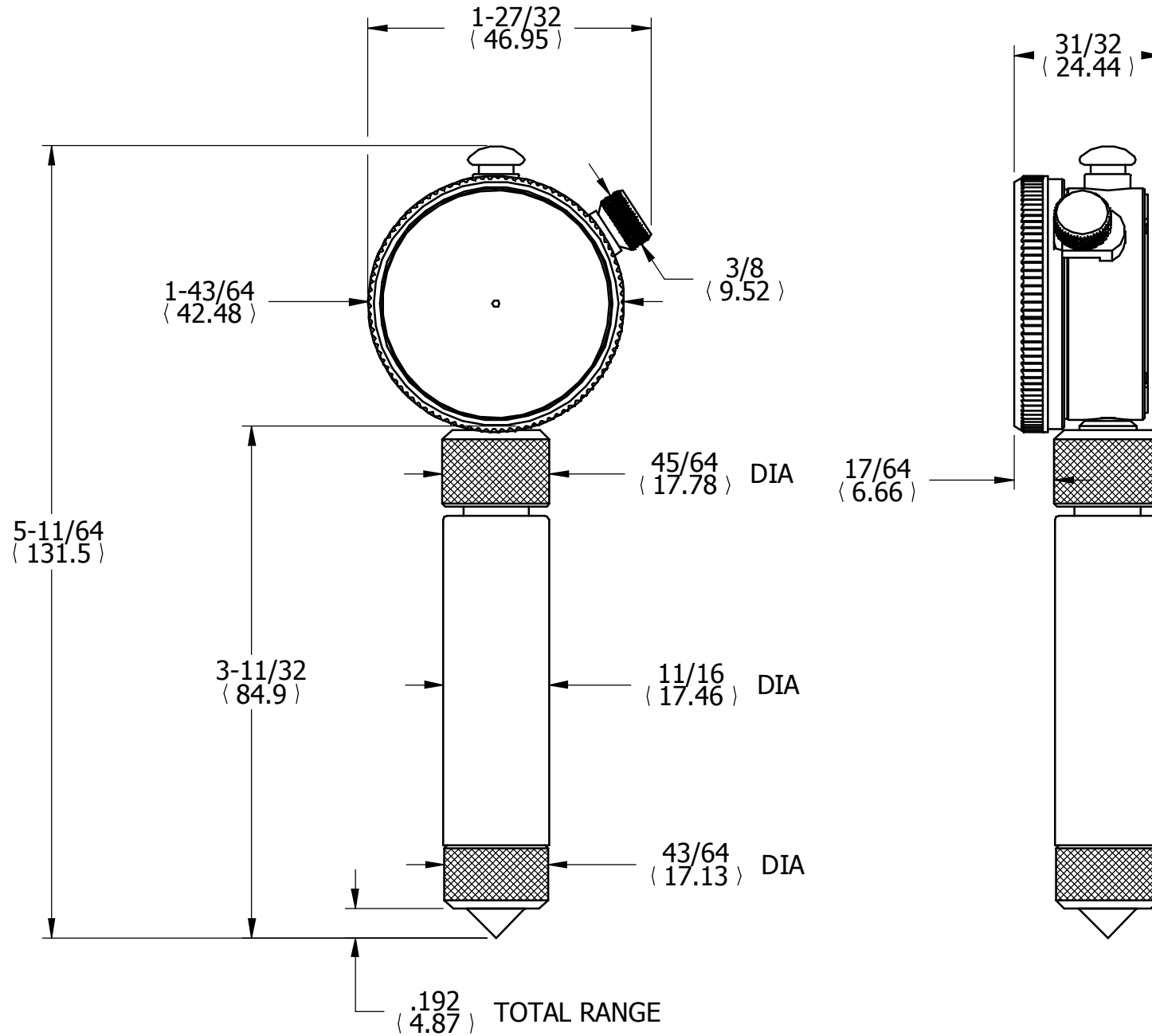


OPER

TOOLS



REV	DESCRIPTION	DATE	BY
-----	-------------	------	----

DR	KPH	CHK	DATE
----	-----	-----	------

**.160-.360 RANGE
90° ANGLE
COUNTERSINK GAGE**

**THE L.S. STARRETT CO.
ATHOL, MASS.**

FRACTIONAL TOLERANCE +- 1/64 UNLESS OTHERWISE NOTED