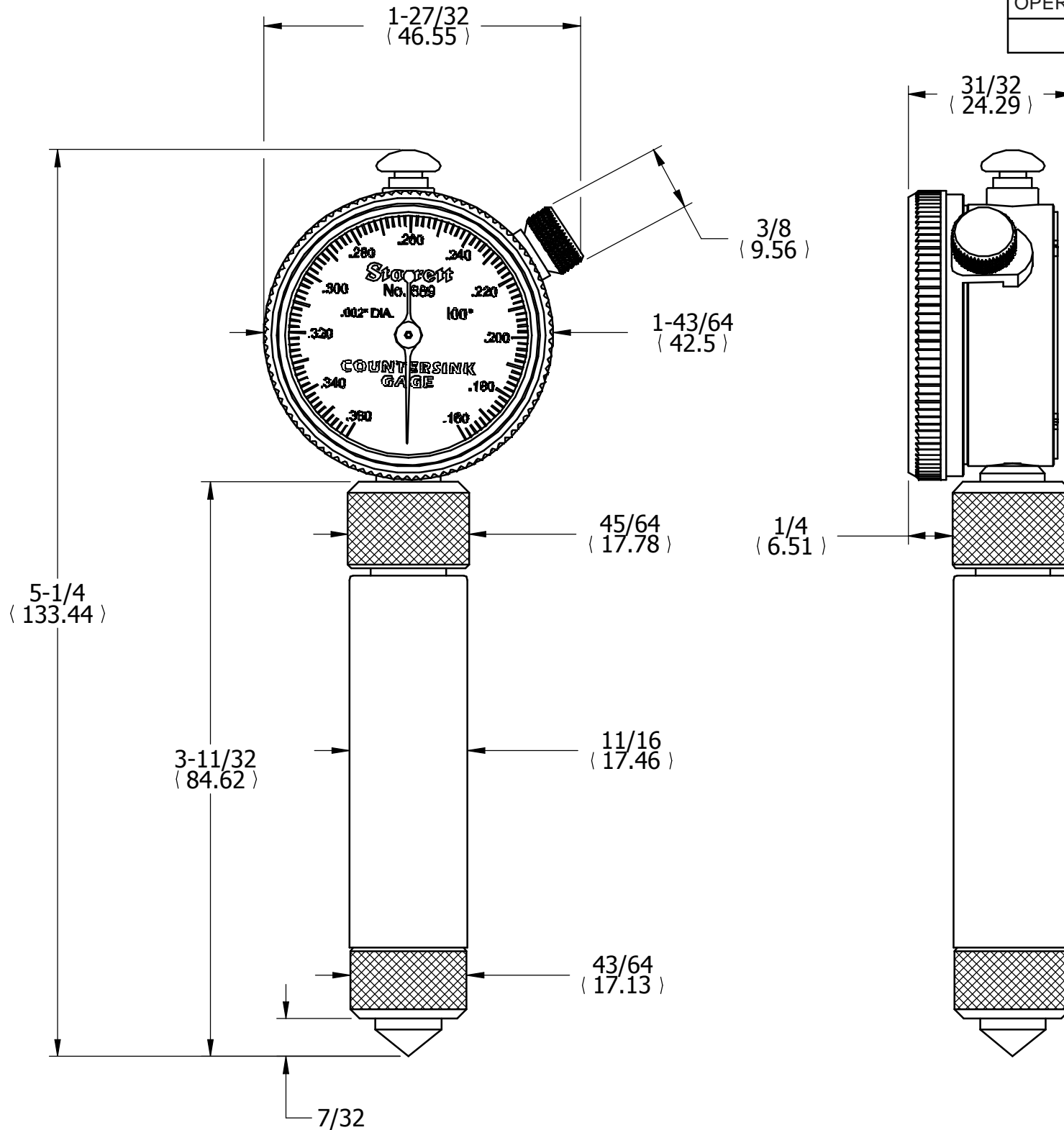


OPER

TOOLS




REV	DESCRIPTION	DATE	BY
-----	-------------	------	----

DR	K.P.H.	CHK	DATE
----	--------	-----	------

**.160-.360 RANGE  
100° ANGLE  
COUNTERSINK GAGE**

**THE L.S. STARRETT CO.  
ATHOL, MASS.**

FRACTIONAL TOLERANCE +- 1/64 UNLESS OTHERWISE NOTED