

SH. 1
OF 1

CAT NO

689-3Z

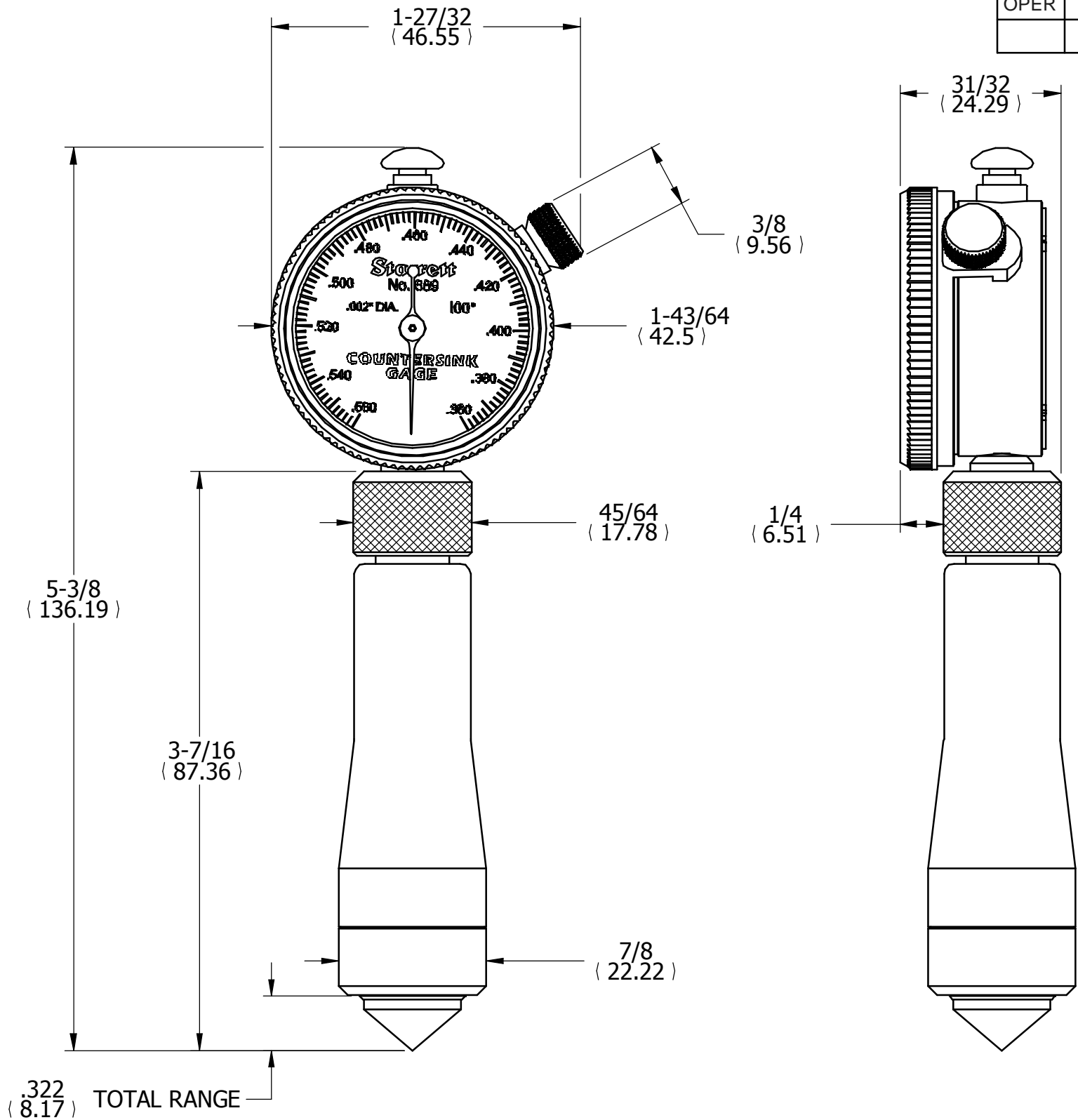
CUSTOMER DIMENSIONS

DO NOT
SEPARATE
PRINT FROM
WORK

LOT NO

OPER

TOOLS



REV	DESCRIPTION	DATE	BY
DR	K.P.H.	CHK	DATE

**.360-.560 RANGE
100° ANGLE
COUNTERSINK GAGE**

**THE L.S. STARRETT CO.
ATHOL, MASS.**

FRACTIONAL TOLERANCE $\pm 1/64$ UNLESS OTHERWISE NOTED