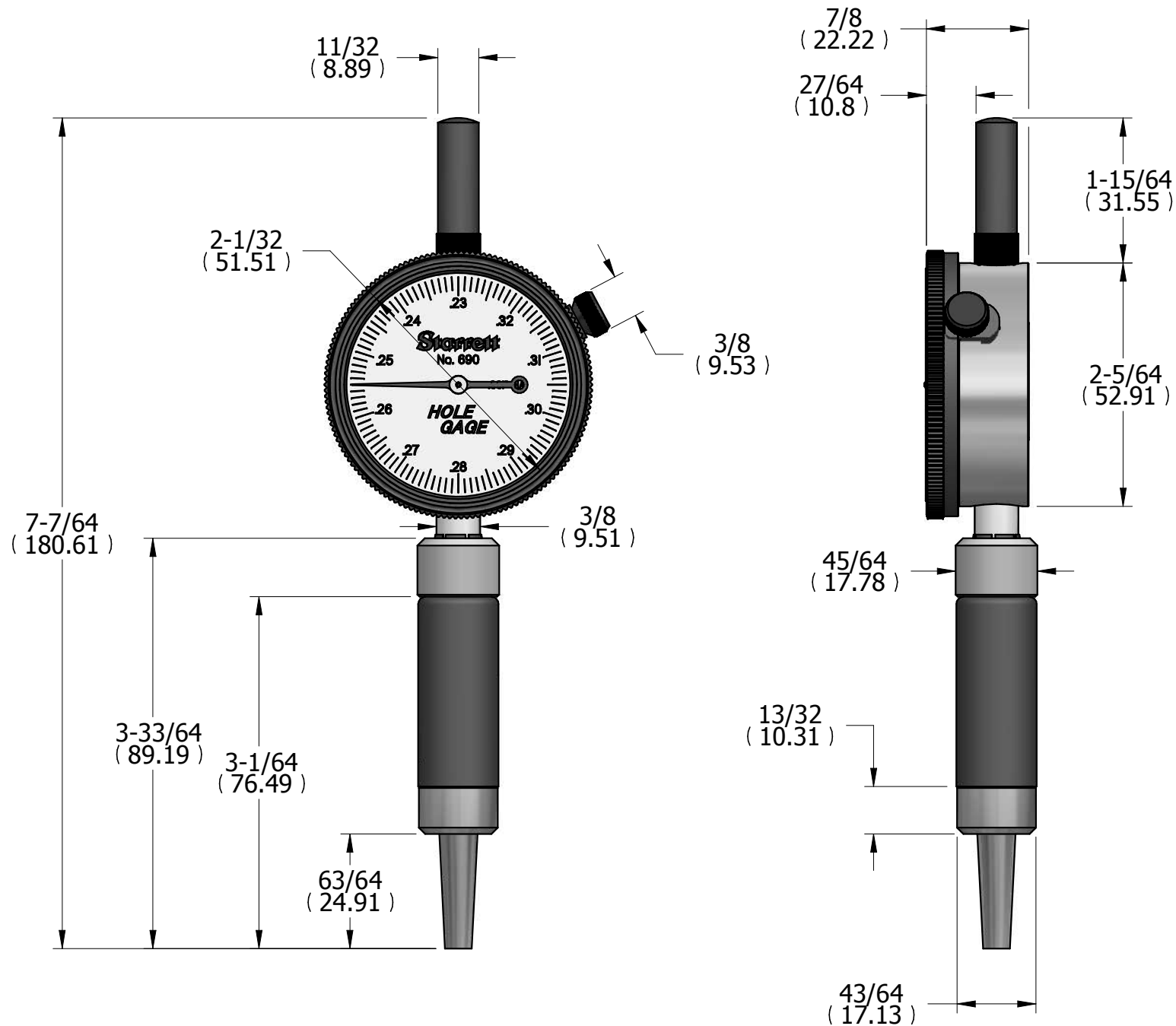


OPER

TOOLS



REV	DESCRIPTION	DATE	BY
DR	KPH	CHK	DATE

.230-.330 DIA.
HOLE GAGE

THE L.S. STARRETT CO.
ATHOL, MASS.

FRACTIONAL TOLERANCE +- 1/64 UNLESS OTHERWISE NOTED