

SH. 1
OF 1

CAT NO

690M-1Z

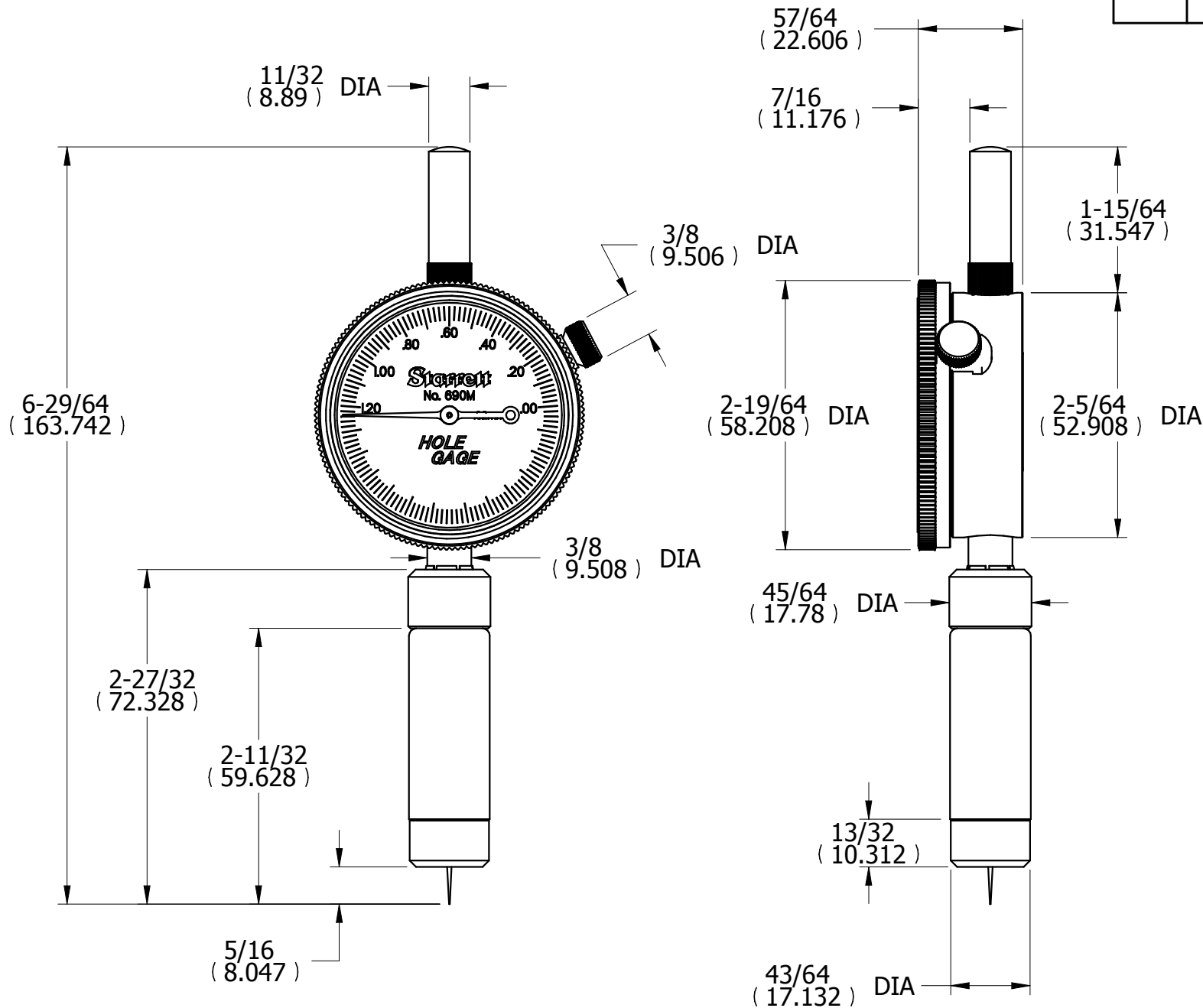
CUSTOMER DIMENSIONS

DO NOT
SEPARATE
PRINT FROM
WORK

LOT NO

OPER

TOOLS



REV	DESCRIPTION	DATE	BY
-----	-------------	------	----

DR	KPH	CHK	DATE
----	-----	-----	------

**.25mm - 1.00mm DIA.
HOLE GAGE**

**THE L.S. STARRETT CO.
ATHOL, MASS.**

FRACTIONAL TOLERANCE $\pm 1/64$ UNLESS OTHERWISE NOTED