

SH. 1
OF 1

CAT NO

690M-2Z

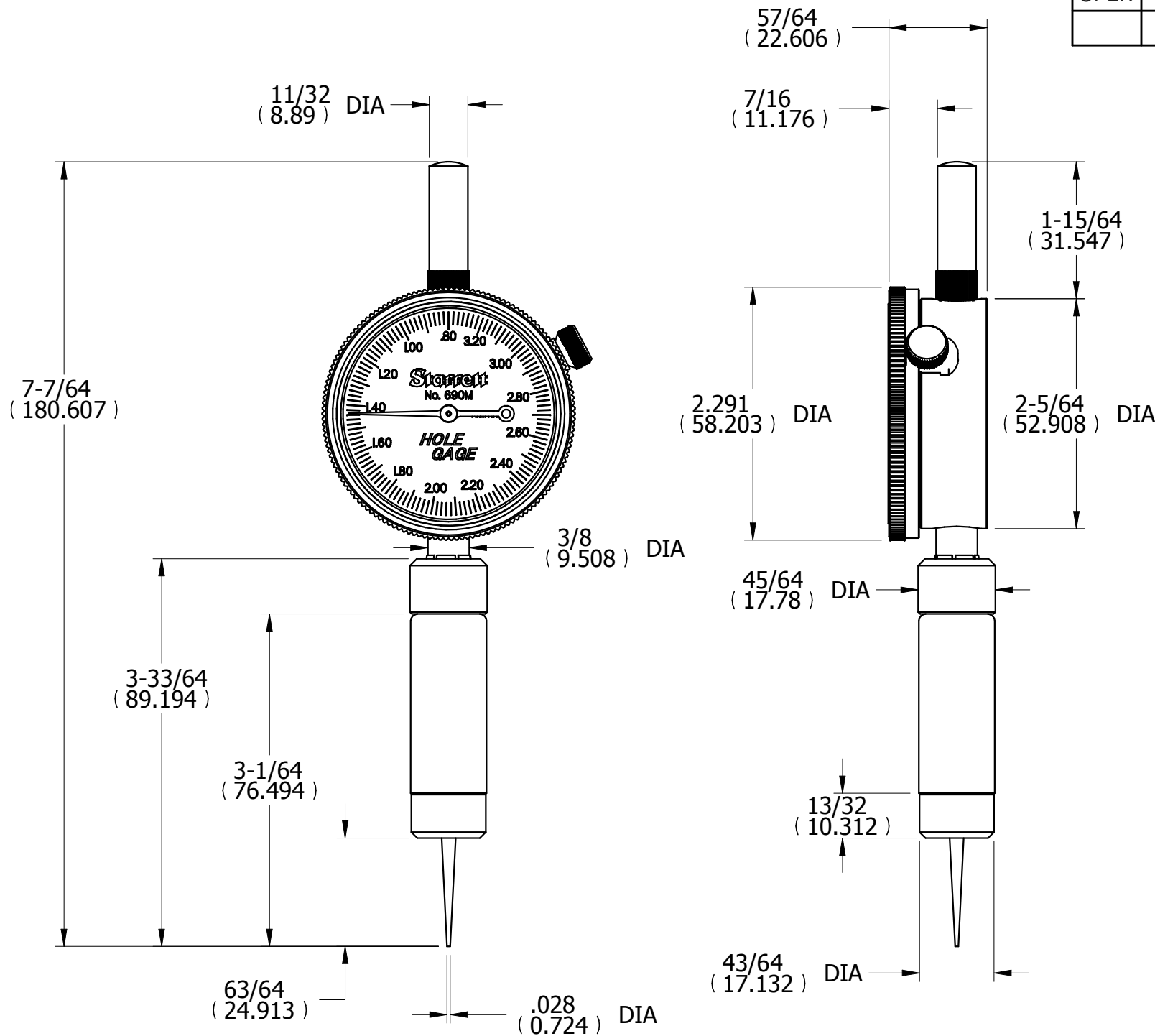
CUSTOMER DIMENSIONS

DO NOT
SEPARATE
PRINT FROM
WORK

LOT NO

OPER

TOOLS



REV	DESCRIPTION	DATE	BY
DR	KPH	CHK	DATE

**.75mm - 3.30mm DIA.
HOLE GAGE**

**THE L.S. STARRETT CO.
ATHOL, MASS.**

FRACTIONAL TOLERANCE $\pm 1/64$ UNLESS OTHERWISE NOTED