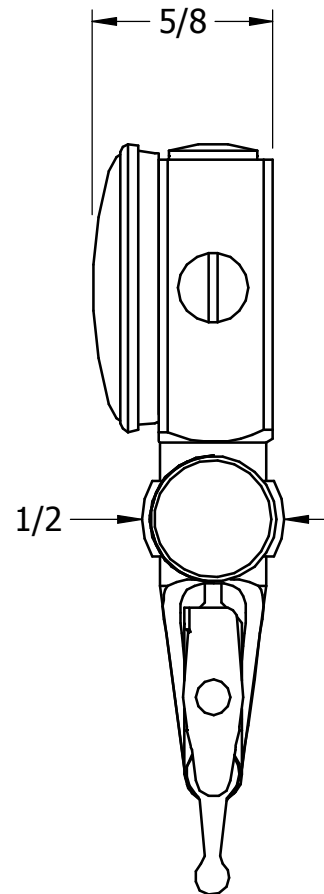
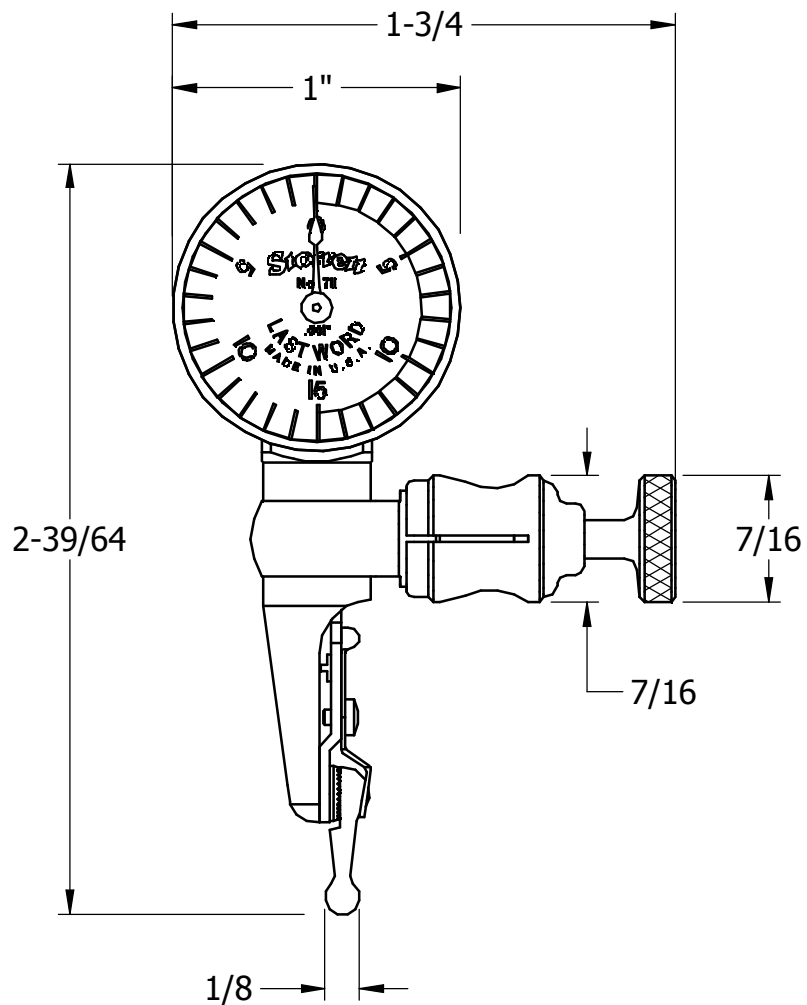
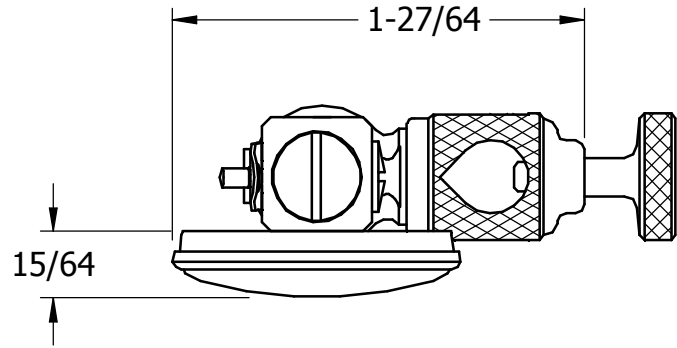


OPER

TOOLS



REV	DESCRIPTION	DATE	BY
DR	PRT	CHK	DATE

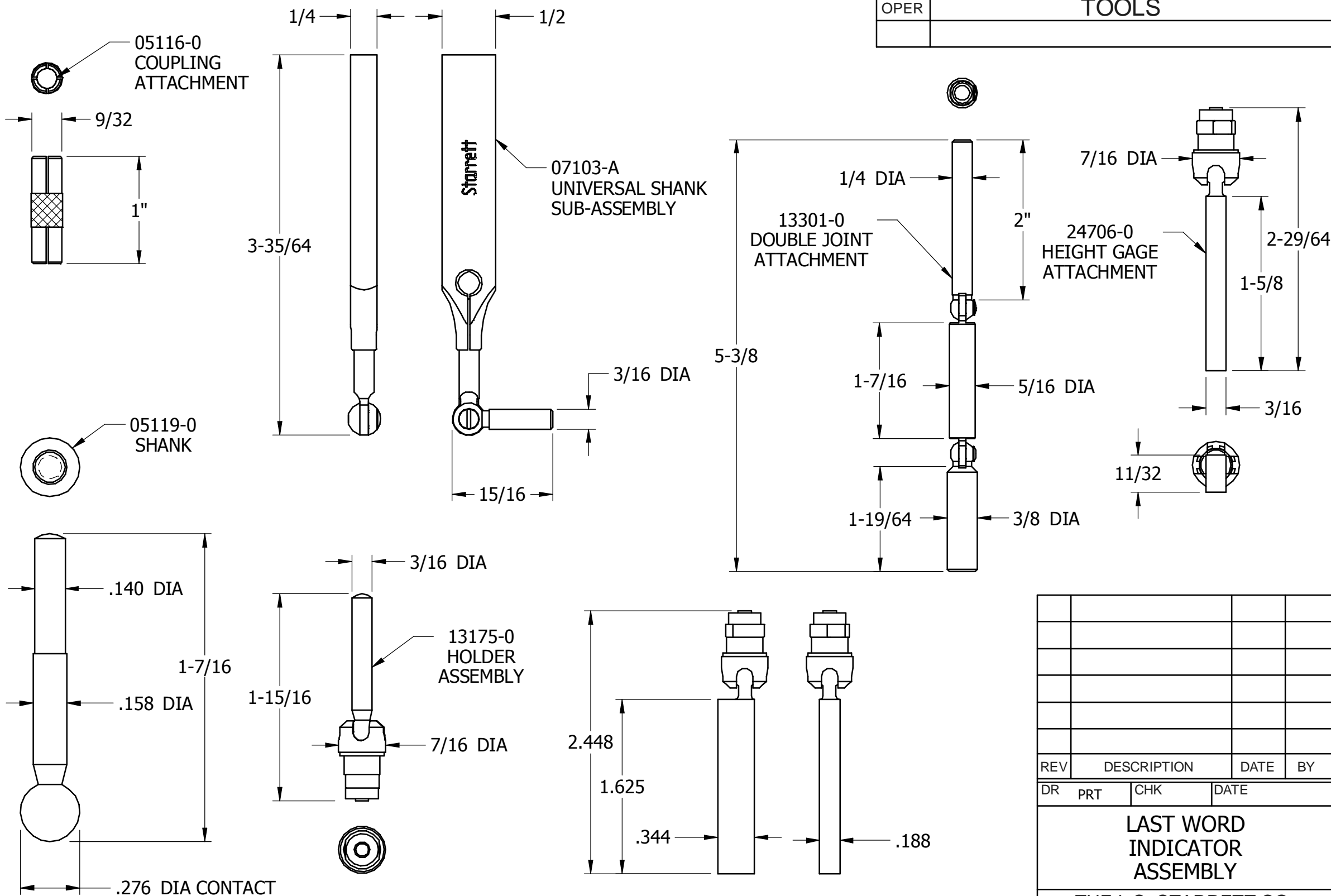
LAST WORD
INDICATOR
ASSEMBLY

THE L.S. STARRETT CO.
ATHOL, MASS.

FRACTIONAL TOLERANCE $\pm \frac{1}{64}$ UNLESS OTHERWISE NOTED

OPER

TOOLS



REV	DESCRIPTION	DATE	BY
DR	PRT	CHK	DATE

LAST WORD
INDICATOR
ASSEMBLY

THE L.S. STARRETT CO.
ATHOL, MASS.

FRACTIONAL TOLERANCE +- 1/64 UNLESS OTHERWISE NOTED