

SH. 1  
OF 1

CAT NO

800

SIZE

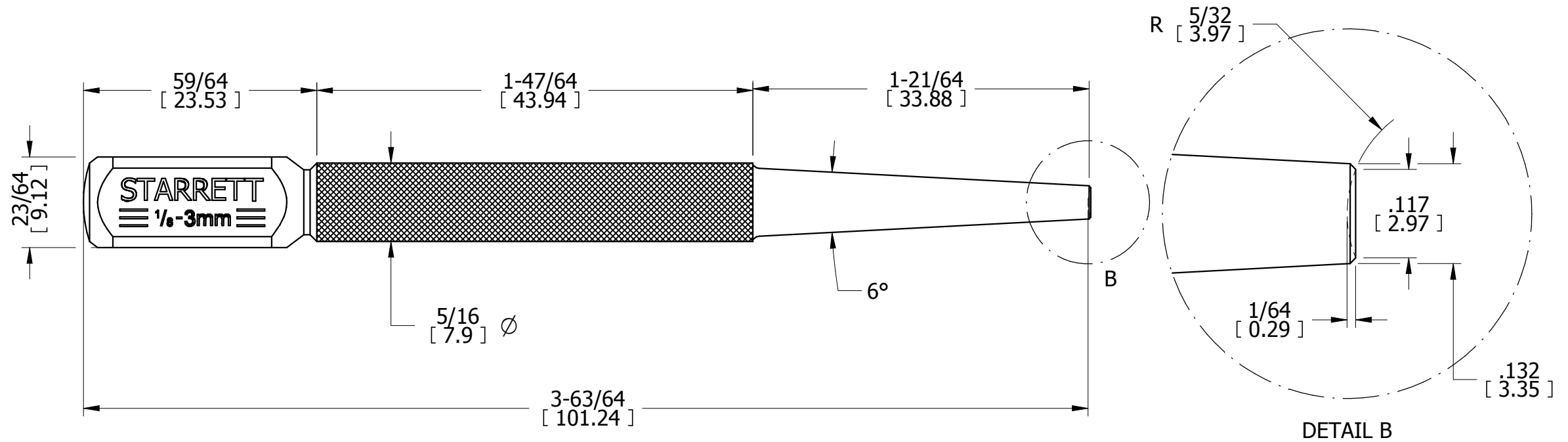
D

DO NOT  
SEPARATE  
PRINT FROM  
WORK

LOT NO

OPER

TOOLS



DETAIL B

|                                       |             |      |      |
|---------------------------------------|-------------|------|------|
|                                       |             |      |      |
|                                       |             |      |      |
|                                       |             |      |      |
|                                       |             |      |      |
|                                       |             |      |      |
|                                       |             |      |      |
| REV                                   | DESCRIPTION | DATE | BY   |
| DR                                    | JAC         | CHK  | DATE |
| 1/8" SQUARE HEAD<br>NAIL SET          |             |      |      |
| THE L.S. STARRETT CO.<br>ATHOL, MASS. |             |      |      |

FRACTIONAL TOLERANCE +/- 1/64 UNLESS OTHERWISE NOTED