

SH. 1
OF 1

CAT NO

C19

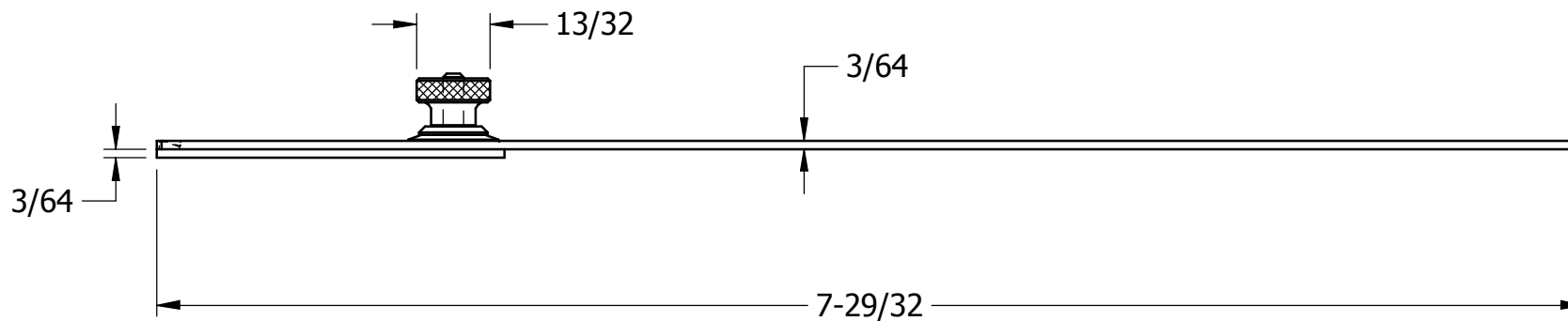
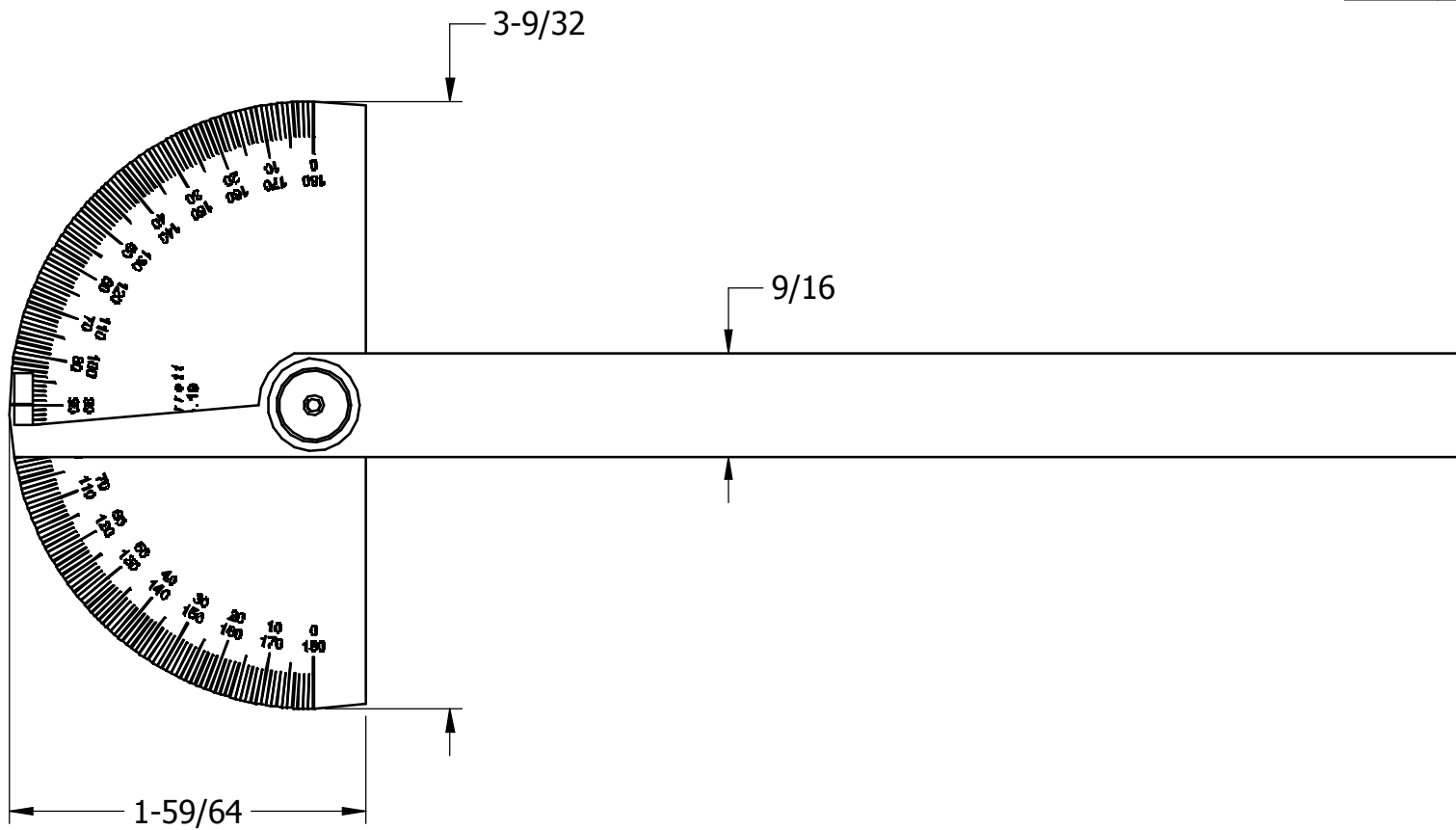
CUSTOMER DIMS

DO NOT
SEPARATE
PRINT FROM
WORK

LOT NO

OPER

TOOLS



REV	DESCRIPTION	DATE	BY
DR	LHL	CHK	DATE 06/30/36

PROTRACTOR ASSEMBLY

THE L.S. STARRETT CO.
ATHOL, MASS.

FRACTIONAL TOLERANCE +- 1/64 UNLESS OTHERWISE NOTED