

SH. 1
OF 1

CAT NO

C251A

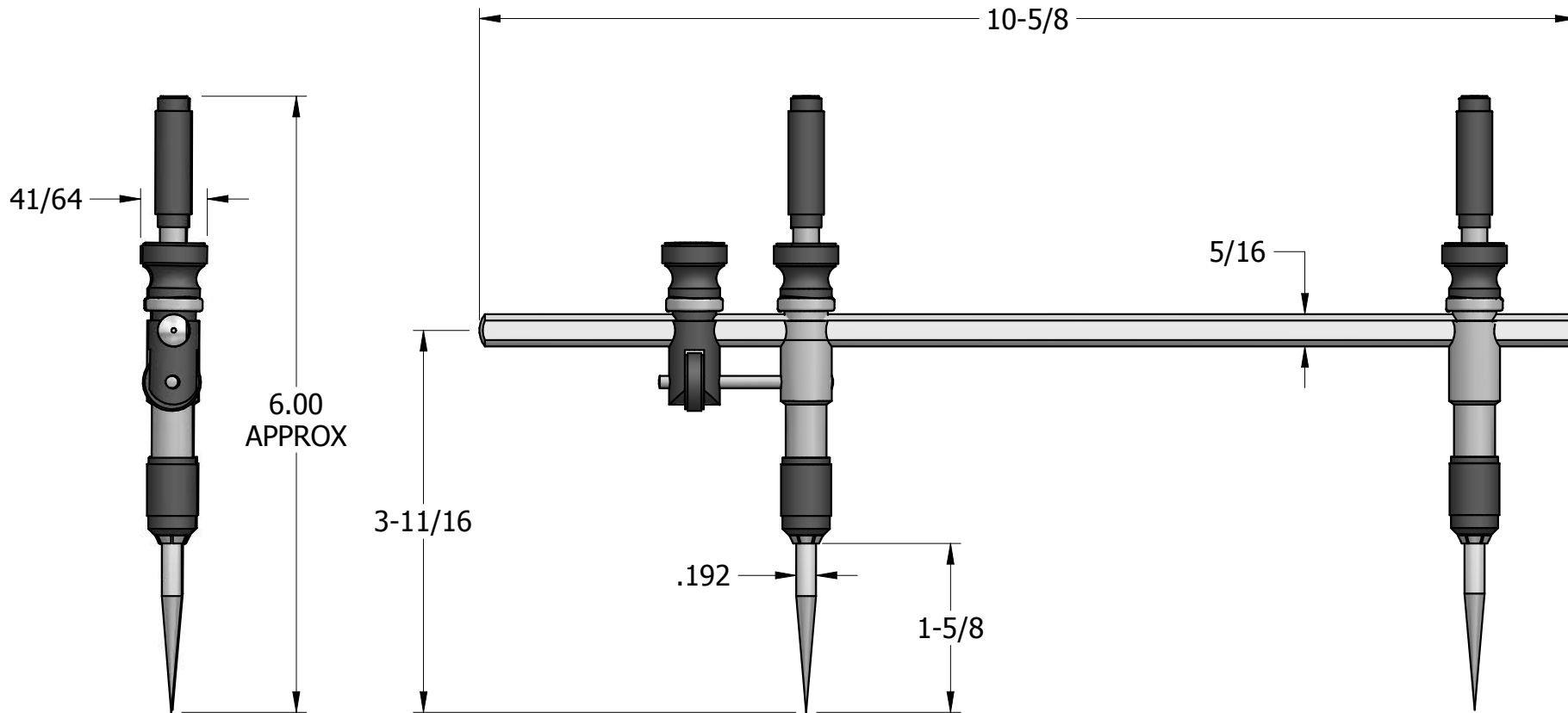
CUSTOMER DIMENSIONS

DO NOT
SEPARATE
PRINT FROM
WORK

LOT NO

OPER

TOOLS



MAX DIVIDING RANGE = 9" (225mm)
MAX CIRCLE DIA RANGE = 18" (450mm)

REV	DESCRIPTION	DATE	BY
DR	CAP	CHK	DATE 2/27/15

STEEL BEAM TRAMMEL
ASSEMBLY

THE L.S. STARRETT CO.
ATHOL, MASS.

FRACTIONAL TOLERANCE +- 1/64 UNLESS OTHERWISE NOTED