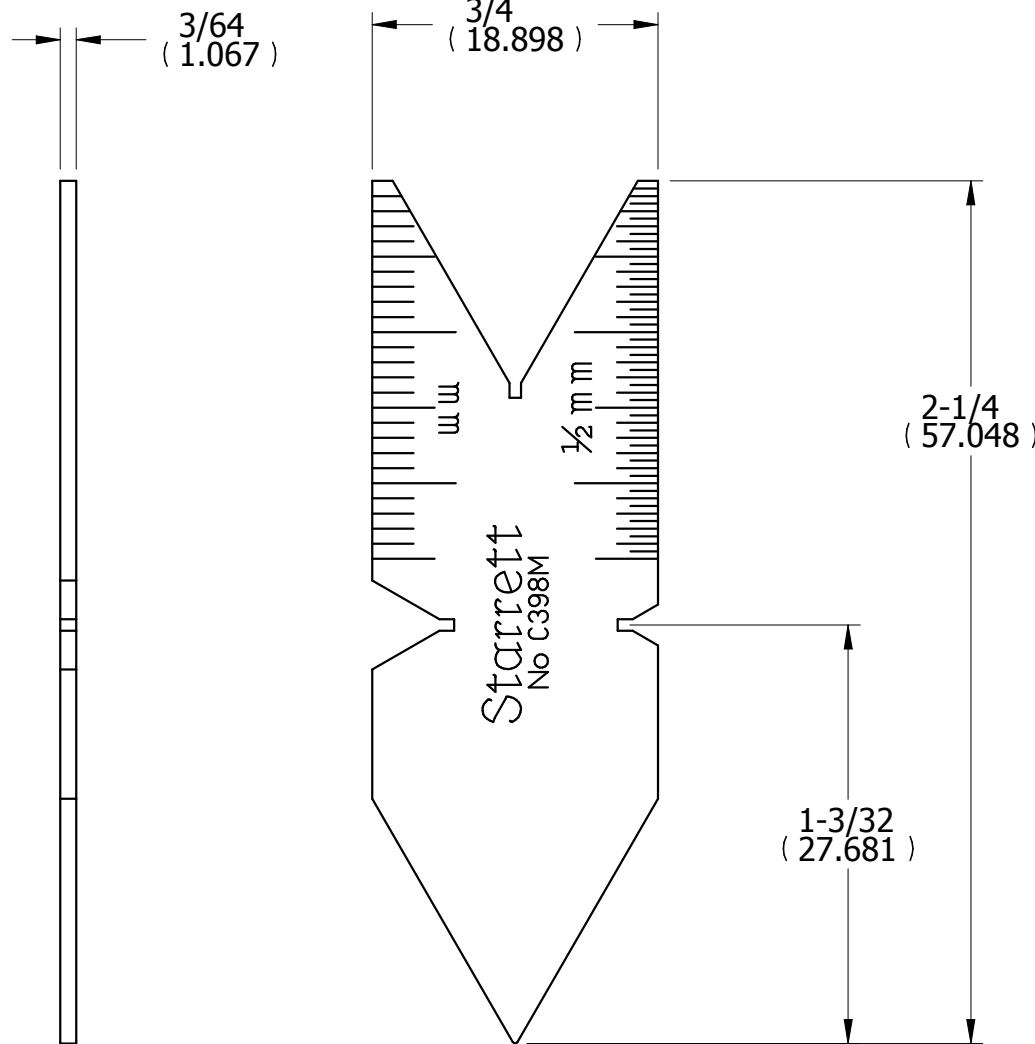
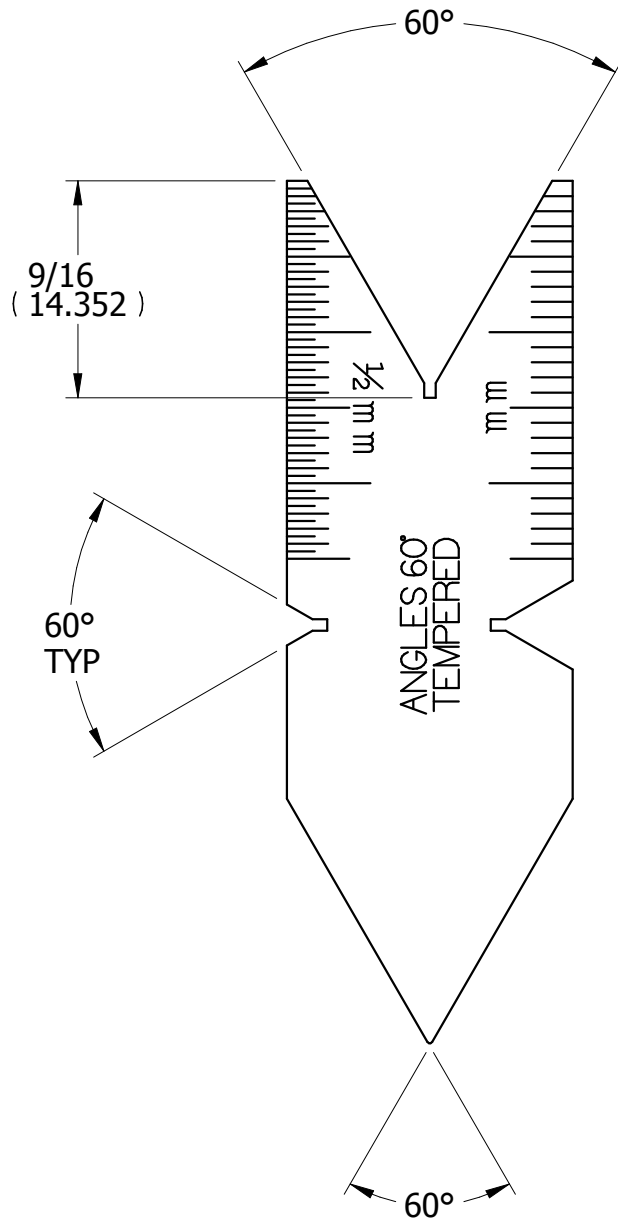


OPER

TOOLS



REV	DESCRIPTION	DATE	BY
-----	-------------	------	----

DR	PW	CHK	DATE
----	----	-----	------

CENTER GAGE
60°
-METRIC-

THE L.S. STARRETT CO.
ATHOL, MASS.

FRACTIONAL TOLERANCE +- 1/64 UNLESS OTHERWISE NOTED