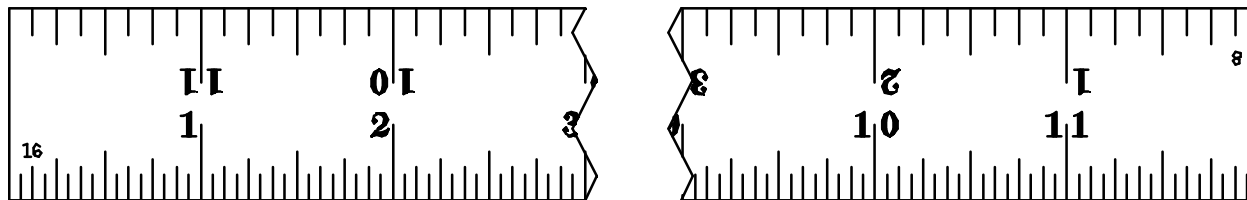
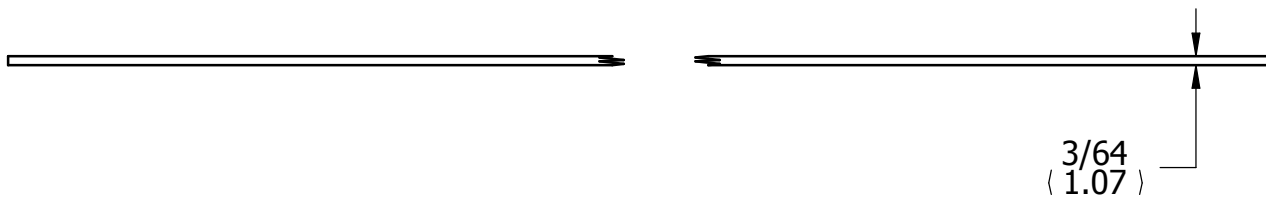
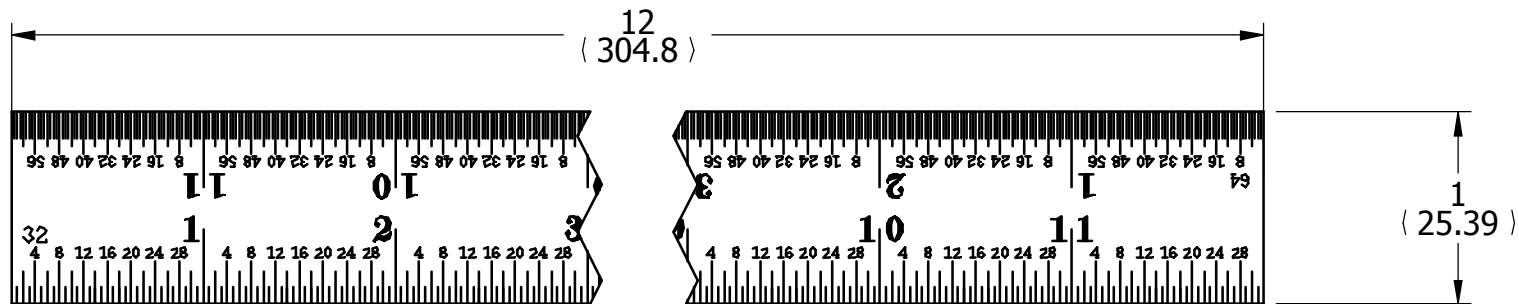


OPER

TOOLS



REV	DESCRIPTION	DATE	BY
DR	DSP	CHK	DATE

**CHROME PLATE
SPRING TEMPERED
STEEL RULE**

**THE L.S. STARRETT CO.
ATHOL, MASS.**

FRACTIONAL TOLERANCE +- 1/64 UNLESS OTHERWISE NOTED