

SH. 1
OF 1

CAT NO

C635-300

CUSTOMER DIMENSIONS

DO NOT
SEPARATE
PRINT FROM
WORK

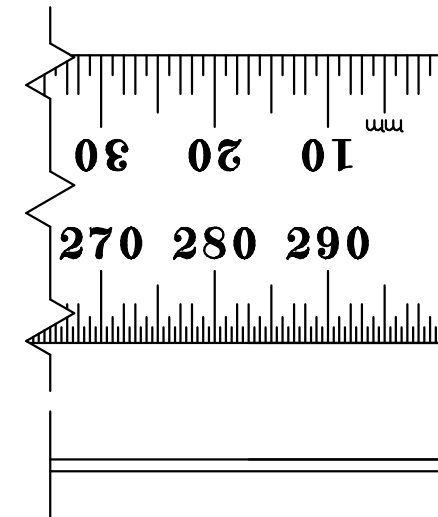
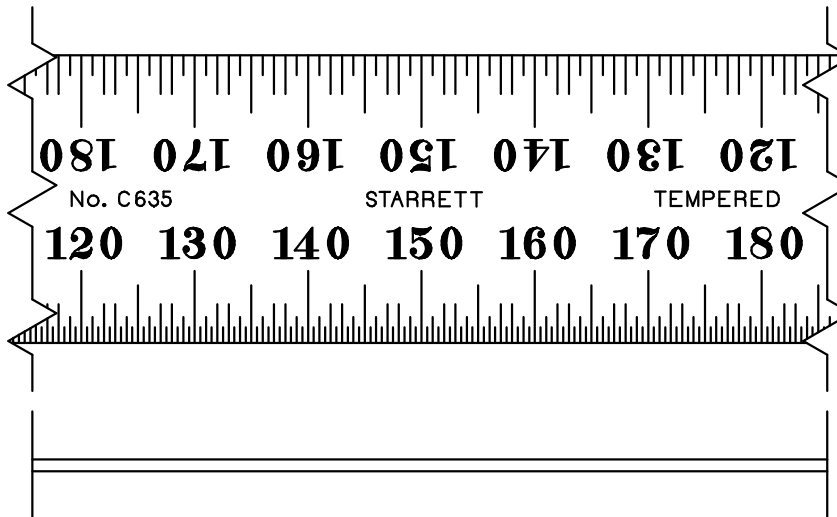
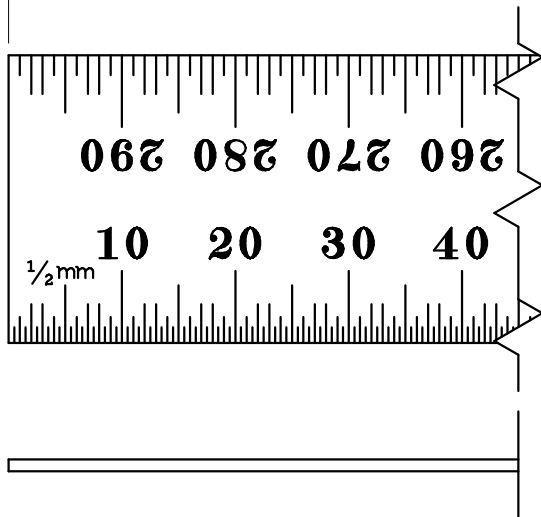
LOT NO

OPER

TOOLS

11-13/16
(299.999)

1"
(25.387)



3/64
(1.067)

REV	DESCRIPTION	DATE	BY
-----	-------------	------	----

DR	HMR	CHK	DATE
----	-----	-----	------

**CHROME PLATED
SPRING TEMPERED
STEEL RULE**

**THE L.S. STARRETT CO.
ATHOL, MASS.**

FRACTIONAL TOLERANCE +- 1/64 UNLESS OTHERWISE NOTED