

SH. 1
OF 1

CAT NO

CH416R-72

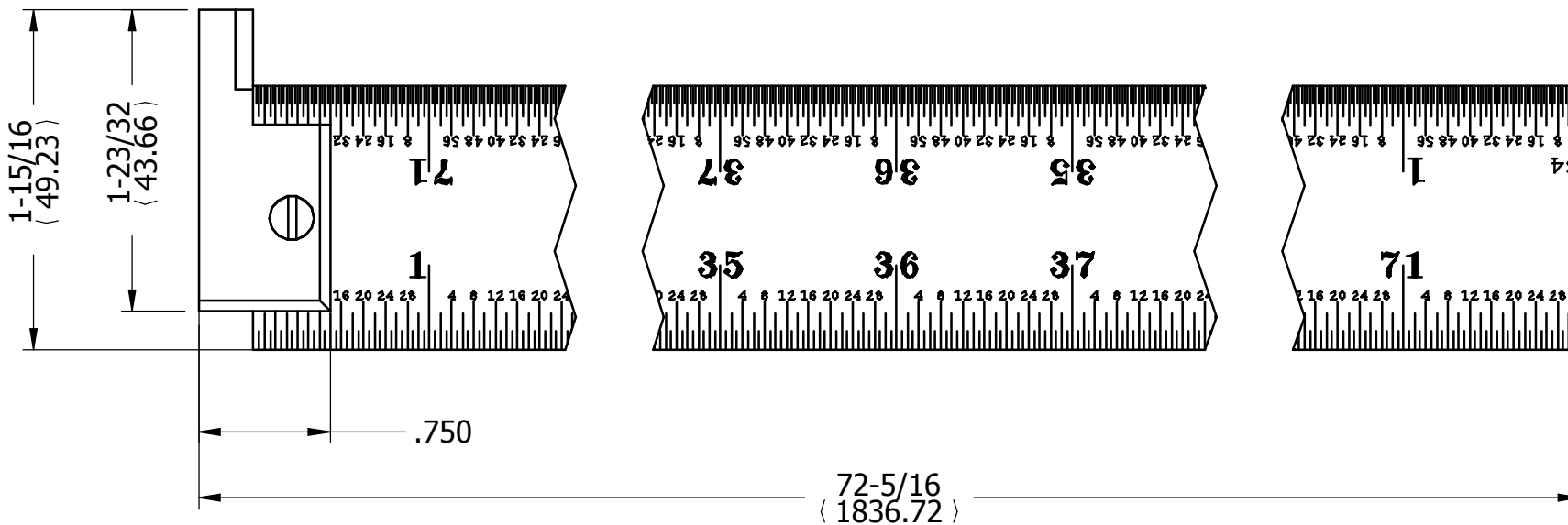
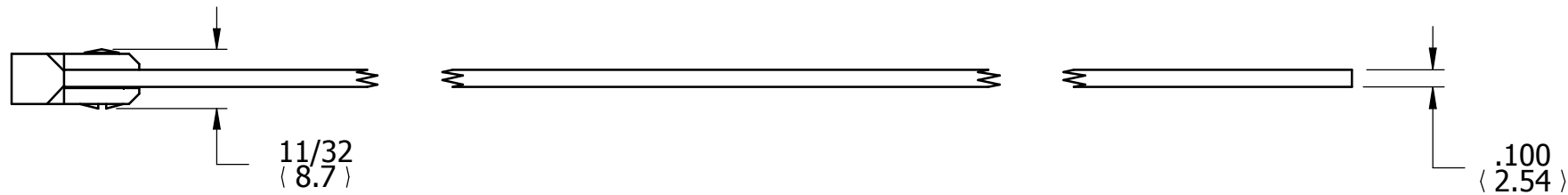
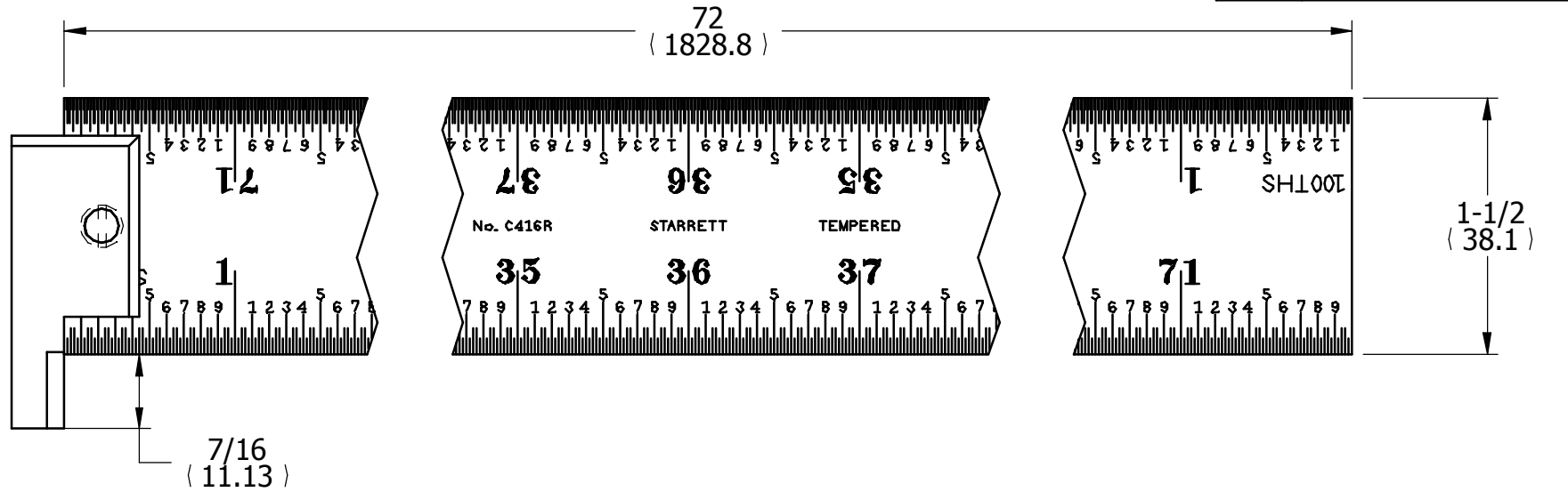
CUSTOMER DIMENSIONS

DO NOT
SEPARATE
PRINT FROM
WORK

LOT NO

OPER

TOOLS



REV	DESCRIPTION	DATE	BY
DR	RBW	CHK	DATE

**HEAVY SPRING TEMPERED
CHROME PLATED
HOOK RULE**

**THE L.S. STARRETT CO.
ATHOL, MASS.**

FRACTIONAL TOLERANCE +- 1/64 UNLESS OTHERWISE NOTED