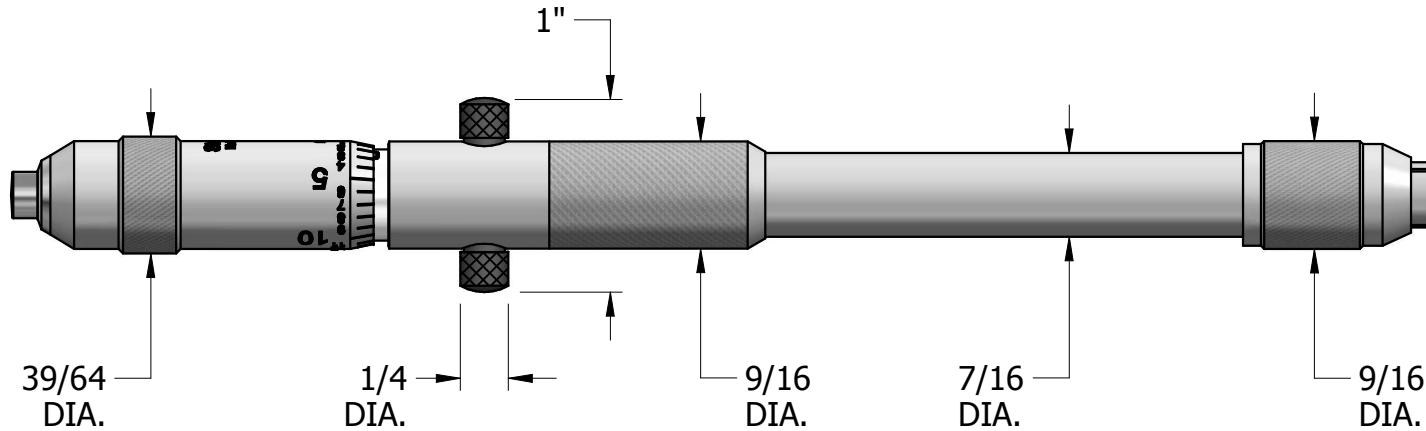
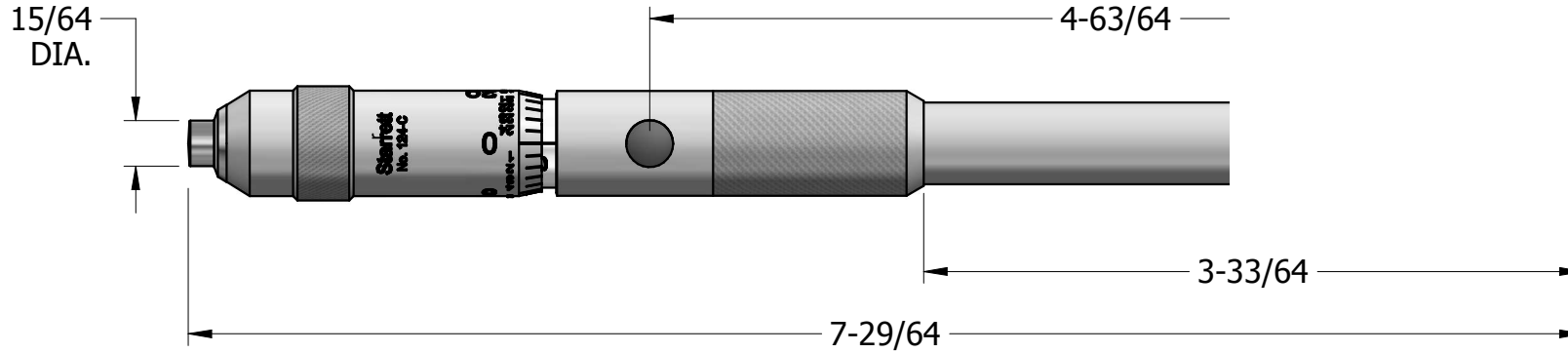
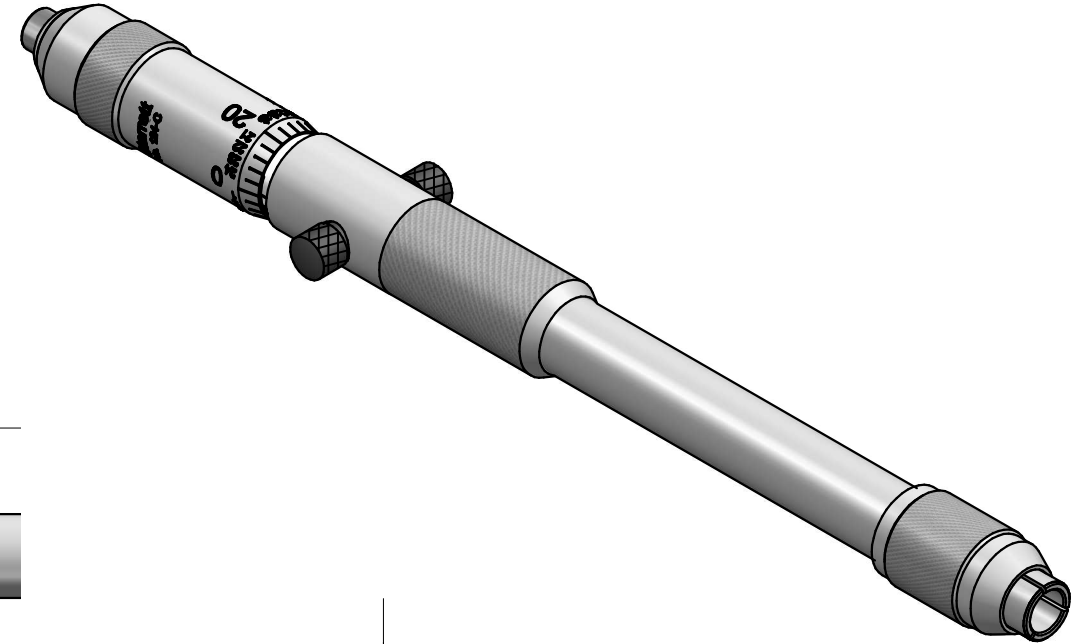


GRADUATIONS (in): .001"
ACCURACY (in): LEAD ACCURACY +/- .0001" PER INCH



REV	DESCRIPTION	DATE	BY
DR	JMR	CHK	DATE 4/13/15

**INSIDE MICROMETER
ENGLISH ASSEMBLY
1953 DESIGN**

**THE L.S. STARRETT CO.
ATHOL, MASS.**

FRACTIONAL TOLERANCE +/- 1/64 UNLESS OTHERWISE NOTED