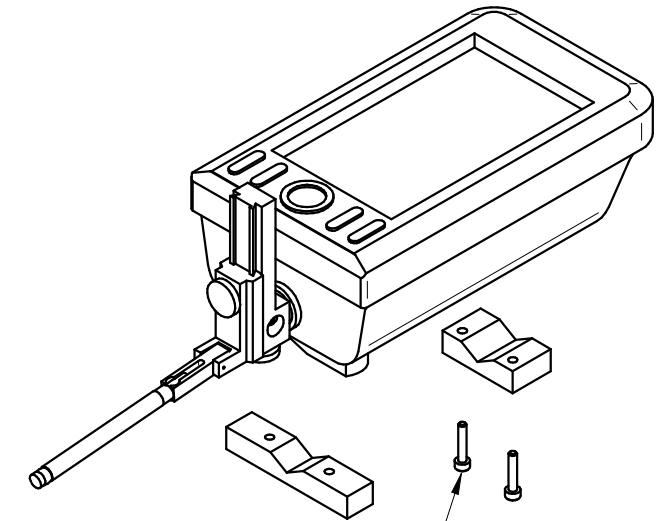
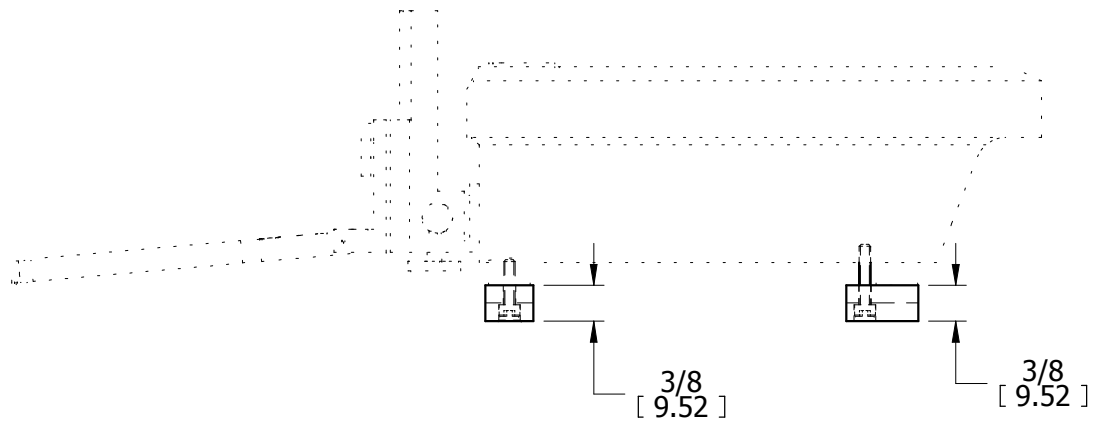


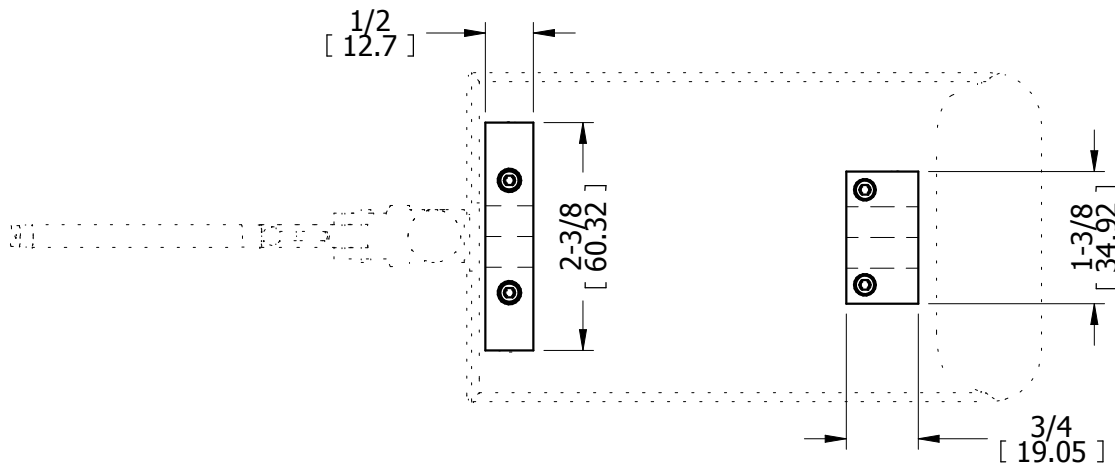
OPER

TOOLS



M3 x 0.5 X 12mm (2)
SOCKET CAP SCREW

M3 x 0.5 X 16mm (2)
SOCKET CAP SCREW



REV	DESCRIPTION	DATE	BY
-----	-------------	------	----

DR	DSP	CHK	DATE
----	-----	-----	------

SR300/400
HEIGHT GAGE
MOUNTING ATTACHMENT

THE L.S. STARRETT CO.
ATHOL, MASS.

FRACTIONAL TOLERANCE +- 1/64 UNLESS OTHERWISE NOTED